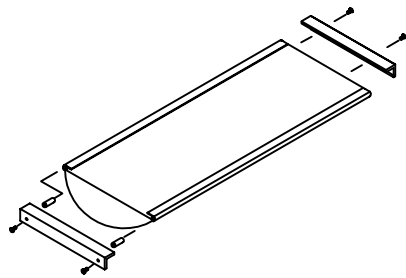
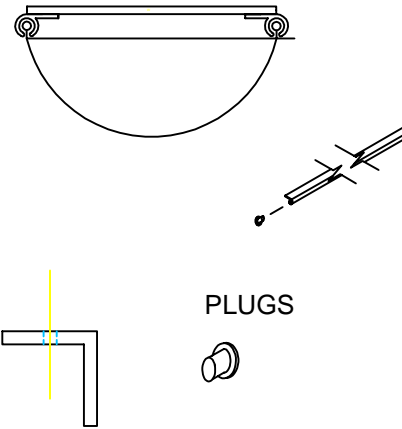


D – SHAPE SYSTEMS



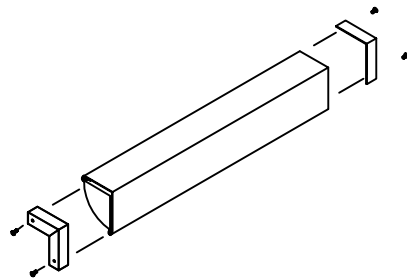
D-SHAPE FILTER SYSTEMS DETAIL
FLOWCON SECTION, SHOWN

D – SHAPE SYSTEMS



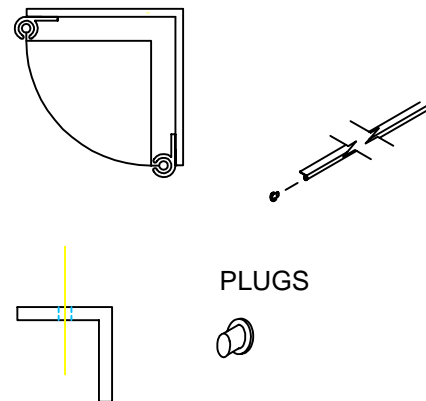
D – SHAPE FILTER SYSTEMS DETAIL
D – SHAPE ASSEMBLE SECTION, SHOWN

QUARTER ROUND SYSTEMS



QUARTER ROUND FILTER SYSTEMS DETAIL
FLOWCON SECTION, SHOWN

QUARTER ROUND SYSTEMS



QUARTER ROUND FILTER SYSTEMS DETAIL
QUARTER ROUND ASSEMBLE SECTION, SHOWN